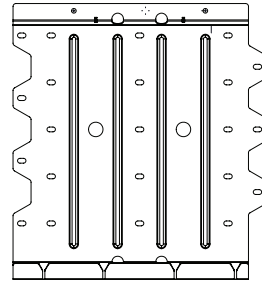


# INSTALLATION GUIDE

## WALL MOUNT BRACKET FOR AES BATTERY: 42-48-6650, 44-48-3000

1. Safety	3
1.1 Warnings, Cautions, Notes and Symbols	3
2. Installation	4
2.1 Tools and Hardware	4
2.2 Wall Mount Overview	4
2.3 Installing the Bracket	5
2.4 Mounting the Battery to the Bracket	6



## Overview

This guide provides information about the installation of Discover AES Lithium batteries (42-48-6650, 44-48-3000) using the AES Wall Mount Bracket.

Discover reference documents:

- Data Sheets for 42-48-6650, 44-48-3000
- 805-0015 AES LiFePO<sub>4</sub> Battery 44-24-2800 42-48-6650 Manual
- 805-0025 AES LiFePO<sub>4</sub> Battery 44-48-3000 Manual

Visit [discoverlithium.com](https://discoverlithium.com) for the most recent version of published documents.

Certain configuration, installations, service, and operating tasks should only be performed by qualified personnel in consultation with local utilities and/or authorized dealers. Qualified personnel should have training, knowledge, and experience in:

- Installing electrical equipment
- Applying applicable installation codes
- Analyzing and reducing hazards involved in performing electrical work
- Installing and configuring batteries

No responsibility is assumed by Discover Energy Systems for any consequences arising out of the use of this material.

**Read AES Battery Manual and Safety instructions before installing the battery.**



## 1. Safety

### 1.1 Warnings, Cautions, Notes and Symbols

#### ▲ WARNING

Important information regarding possible personal injury.

#### ▲ CAUTION

Important information regarding possible equipment damage.

#### ▲ NOTE

Additional information concerning important procedures and features of the battery.

## 2. Installation

#### ▲ WARNING

##### Heavy Equipment

Each AES battery weights up to 90 kg (200 lbs). A two-person lift is required. To prevent personal injury, always use proper lifting techniques during installation. Failure to follow these instructions can result in a serious injury if the battery falls or is dropped on a person.

#### ▲ WARNING

##### Heavy Equipment

For structural and seismic stability, the AES Battery must be mounted onto a vertical supporting surface strong enough to support a minimum of 227 kg (500 lbs) per battery. Failure to follow these instructions can result in death or serious injury.

### 2.1 Tools and Hardware

The following tools and hardware are not included with the bracket. Depending on your installation, additional tools and hardware may be required:

- Socket wrench, appropriately sized
- Level
- Lag bolts
- Additional materials and hardware for additional wall-mount support

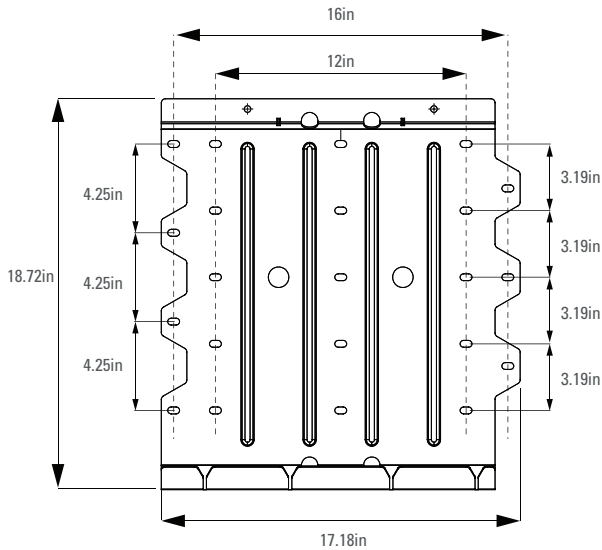


## 2.2 Wall Mount Overview

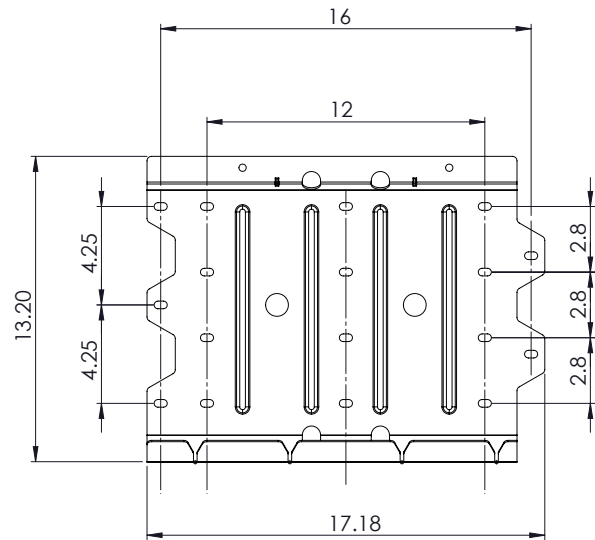
Each battery requires a separate bracket. Attach the bracket to the wall before attaching the AES battery to the wall mount.

Each bracket requires a minimum of four 1/4 inch diameter lag bolts or other fasteners. Fasteners must be strong enough to support 227 kg (500 lbs).

Mounting Surface	Minimum Required Fastener	Minimum Number of Fasteners Per Wall Mount
Wood Studs 16 inch on-center	1/4 inch Diameter x 3 1/2 inch long lag bolt	4
Wood studs not 16 inch on-center (3/4 inch min. plywood panel required)	1/4 inch diameter x 1 inch long wood screw	6
Steel studs at 16 inch on-center (min. 18 gauge)	1/4 inch diameter self-drilling screw	4



950-0019 AES Wall Mount  
Bracket for AES 42-48-6650



950-0023 AES Wall Mount  
Bracket for AES 44-48-3000

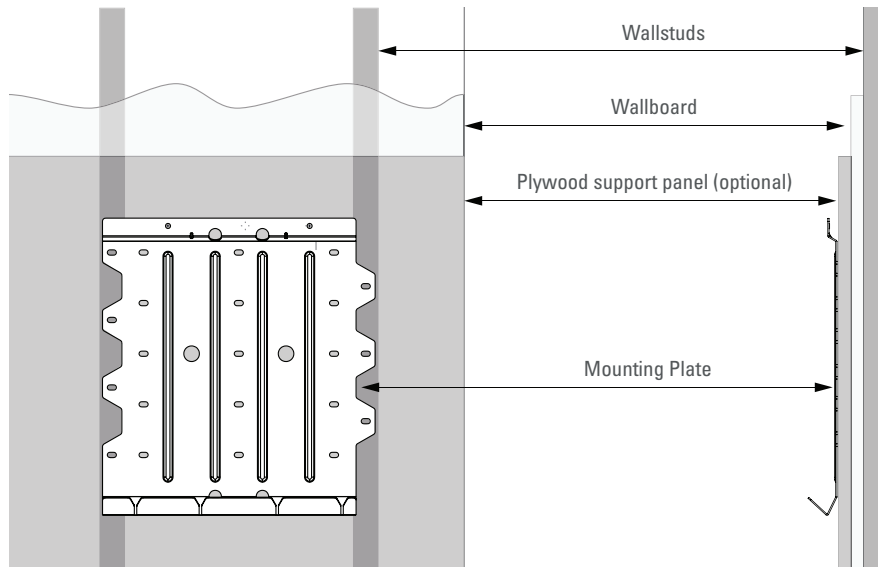
### ▲ NOTE

If the wall does not have 16 inch on-center studs, adequate support for the bracket will have to be provided. For example, a sheet of plywood can be attached to the wall, and the bracket can then be attached to the plywood.

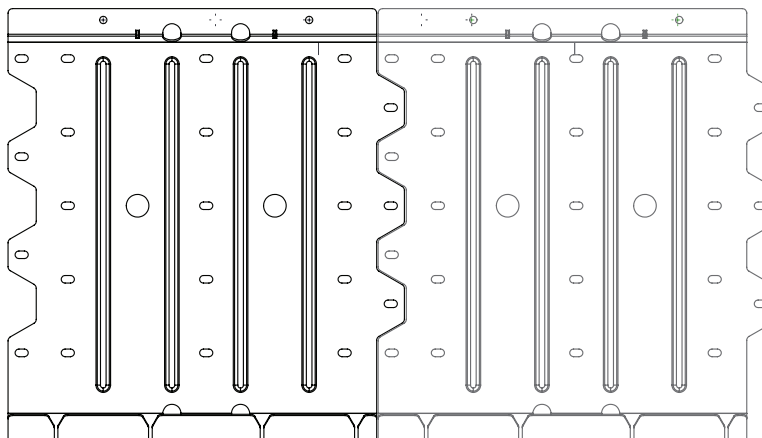


### 2.3 Installing the Bracket

1. Locate the wall studs.
2. If necessary install a 3/4 inch (minimum) plywood panel or appropriate additional support panel to the wall studs. Use hardware sized to support a minimum of 227 kg (500 lbs) when installing additional support panels to the wall. The additional support must span across at least three wall studs.
3. Using a level, secure the first mounting bracket to the wall. Ensure the mounting plate is centered on the wall studs, as shown.



4. Install additional wall mounts as required. The wall mounts are designed to interlock with each other when installed adjacent to each other.



## 2.4 Mounting the Battery to the Bracket

1. Align the flange of the AES Battery with the bottom edge of the bracket, as shown.
2. Lower the AES Battery flange onto the bracket.
3. Secure the top of the AES Battery to the two PEM studs with M8 nuts (included). Torque nuts to 1.4 - 1.5 N-m (12.4 - 13.3 in-lbs).

